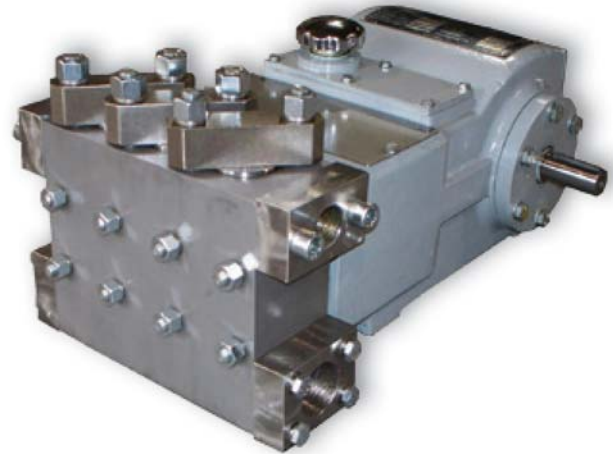


T5 Triplex Pump

Pump Specifications

Rated (HP, kW)	5	3.7
Stroke length (in., mm)	1.38	35.1
Maximum discharge pressure (PSI, Bar)		
T5H	4,730	326
T5M	2,410	166
T5L	980	67
Rated rod load (lb, kg)	1,450	658
Intermittent duty speed, RPM	475	
Maximum continuous duty speed, RPM	350	
Minimum speed, RPM	90	
Crankshaft dimensions (in., mm)		
Diameter	1.125	28.6
Length (both sides)	2.250	57.2
Keyway, width × depth (in., mm)	.250 × .125	6.4 × 3.2
Oil capacity (gal, l)	0.63	2.9
Weight (lb, kg); estimates only	210	95.3
Mechanical efficiency	90%	



Flange Connections

Pump Model	Discharge Connection Sizes (in., mm)	Suction Connection Sizes (in., mm)
T5H	1.0 (25.4) NPT	1.5 (38.1) NPT
T5M	1.0 (25.4) NPT	1.5 (38.1) NPT
T5L	1.0 (25.4) NPT	1.5 (38.1) NPT

Applications

- Amine gas sweetening
- Methanol injection
- Water injection
- Chemical injection
- Glycol gas dehydration
- Light hydrocarbon transportation
- Crude transfer
- Polymer flood
- Produced water disposal
- Steam boiler feed
- Hydrostatic testing
- Ammonia
- Horizontal directional drilling
- Hot-oil truck injection

Standard Equipment

- Forged duplex stainless steel, or forged carbon steel fluid ends
- Duplex stainless steel stuffing boxes
- Disc valve or A/R Stainless Steel
- Tungsten carbide coated plungers over stainless steel base or solid ceramic plungers
- Double extended crankshaft
- Multiple plunger packing arrangements offered

Optional Accessories

- Packing lubricators
- Customized plunger packing arrangements
- Complete pump packages
- Ported stuffing boxes and leak detection systems offered for H₂S or light fluids
- Auxillary lube kit (slow speed kit allows pump to be turned down to 50 rpm)

T5 Triplex Pump

Performance Ratings

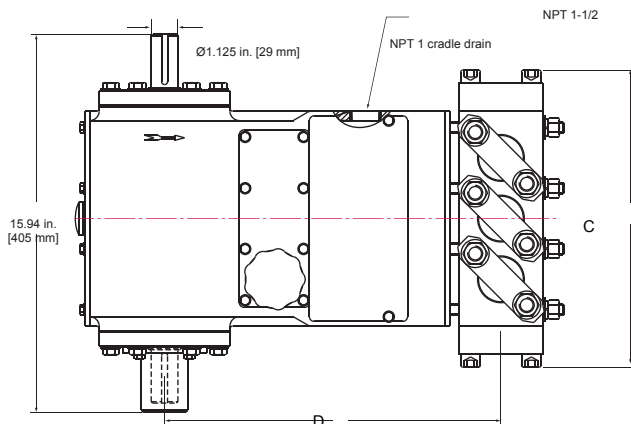
Model (standard)	Plunger Diameter (in.)	Gallons Per Revolution	Maximum Pressure PSI	90 RPM		150 RPM		200 RPM		250 RPM		350 RPM API 674		Intermittent Duty 475 RPM	
				GPM	BPD	GPM	BPD	GPM	BPD	GPM	BPD	GPM	BPD	GPM	BPD
T5H	0.625	0.0055	4,730	0.5	17	0.8	28	1.1	38	1.4	47	1.9	66	2.6	89
	0.688	0.0066	3,910	0.6	20	1.0	34	1.3	46	1.7	57	2.3	80	3.2	108
	0.750	0.0079	3,280	0.7	24	1.2	41	1.6	54	2.0	68	2.8	95	3.8	129
T5M	0.875	0.0108	2,410	1.0	33	1.6	55	2.2	74	2.7	92	3.8	129	5.1	175
	1.000	0.0141	1,850	1.3	43	2.1	72	2.8	96	3.5	120	4.9	169	6.7	229
	1.125	0.0178	1,460	1.6	55	2.7	91	3.6	122	4.4	152	6.2	213	8.4	290
	1.250	0.0220	1,180	2.0	68	3.3	113	4.4	151	5.5	188	7.7	264	10.4	358
T5L	1.375	0.0266	980	2.4	82	4.0	137	5.3	182	6.6	228	9.3	319	12.6	433
	1.500	0.0316	820	2.8	98	4.7	163	6.3	217	7.9	271	11.1	379	15.0	515

Model (metric)	Plunger Diameter (in.)	Liters Per Revolution	Maximum Pressure BAR	90 RPM		150 RPM		200 RPM		250 RPM		350 RPM API 674		Intermittent Duty 475 RPM	
				LPM	M ³ /hr	LPM	M ³ /hr	LPM	M ³ /hr	LPM	M ³ /hr	LPM	M ³ /hr	LPM	M ³ /hr
T5H	0.625	0.0208	326	1.9	0.1	3.1	0.2	4.2	0.2	5.2	0.3	7.3	0.4	9.9	0.6
	0.688	0.0251	269	2.3	0.1	3.8	0.2	5.0	0.3	6.3	0.4	8.8	0.5	11.9	0.7
	0.750	0.0299	226	2.7	0.2	4.5	0.3	6.0	0.4	7.5	0.4	10.5	0.6	14.2	0.9
T5M	0.875	0.0407	166	3.7	0.2	6.1	0.4	8.1	0.5	10.2	0.6	14.3	0.9	19.3	1.2
	1.000	0.0532	127	4.8	0.3	8.0	0.5	10.6	0.6	13.3	0.8	18.6	1.1	25.3	1.5
	1.125	0.0673	101	6.1	0.4	10.1	0.6	13.5	0.8	16.8	1.0	23.6	1.4	32.0	1.9
	1.250	0.0831	81	7.5	0.4	12.5	0.7	16.6	1.0	20.8	1.2	29.1	1.7	39.5	2.4
T5L	1.375	0.1006	67	9.1	0.5	15.1	0.9	20.1	1.2	25.1	1.5	35.2	2.1	47.8	2.9
	1.500	0.1197	57	10.8	0.6	18.0	1.1	23.9	1.4	29.9	1.8	41.9	2.5	56.9	3.4

General Notes

- Capacities shown are based on 100 percent volumetric efficiency. Actual capacities are lower, based on discharge pressure and fluid compressibility.
- API-674 and NACE-compliant designs are available; consult Weatherford for details and exceptions to these standards.
- For operation below 90 RPM, an auxiliary lubrication system is required.
- Standard plunger sizes are shown, however other sizes are available upon request.

General Dimensions (sizing dimensions not for construction purposes)



Pump Model	Flange Connections (in./mm)		Dimensions (in./mm)					
	Discharge Connection Sizes	Suction Connection Sizes	A	B	C	D	E	F
T5A	1 (25.4) NPT	1 - 1/2 (38.1) NPT	2.76	2.77	12.52	14.17	20.59	10.41
T5B			70	70	318	360	523	265
T5C								

