

W200 Triplex Pump

Pump Specifications

Rated (HP, kW)	200	149
Stroke length (in., mm)	5	127
Maximum discharge pressure (PSI, Bar)		
W200H	5,000	345
W200M	3,350	231
W200L	1,680	116
Rated rod load (lb, kg)	11,870	5,385
API-674 speed, RPM	310	
Maximum speed, RPM	400	
Minimum speed, RPM	100*	
Crankshaft dimensions (in., mm)		
Diameter	4.875	124
Length (long)	11.75	298
Length (short)	5.62	143
Keyway, width × depth (in., mm)	1.25 × .62	32 × 16
Oil capacity (gal, l)		
Pump	6.5	24.6
Reducer (varies with ratio)	3.5 to 6.5	13 to 25
Weight (lb, kg); estimates only		
Pump		
W200H	4,707	2,135
W200M	4,792	2,174
W200L	4,842	2,196
Reducer	1,100	499
Mechanical efficiency	90%	

* can be reduced to 50 rpm with the addition of an auxiliary lube (slow speed) kit



Standard Equipment

- Cast aluminum-bronze, forged duplex stainless steel, or forged carbon steel fluid ends
- Aluminum-bronze or duplex stainless steel stuffing boxes
- Various valve designs offered per fluid end style
- Tungsten carbide coated plungers over stainless steel base or solid ceramic plungers
- Double extended crankshaft
- Multiple plunger packing arrangements offered

Optional Accessories

- Weatherford bolt on gear reducers
- Packing lubricators
- Customized plunger packing arrangements
- Complete pump packages
- Ported stuffing boxes and leak detection systems offered for H₂S or light fluids
- An internal or external auxiliary lube kit (slow speed kit) allows the pump to be turned down to 50 rpm and is required for speeds below 100 rpm

Flange Connections

Pump Model	Discharge Connection Sizes (in., mm)	Suction Connection Sizes (in., mm)
W200H	2 (50.8) ANSI 2500 RJ	3 (76.2) API 2000 RJ
W200M	2 (50.8) API 5000 RJ	4 (101.6) ANSI 150 FF
W200L	3 (76.2) API 2000 RJ	6 (152.4) ANSI 150 FF

Applications

- Amine gas sweetening
- Methanol injection
- Water injection
- Chemical injection
- Glycol gas dehydration
- Light hydrocarbon transportation
- Crude transfer
- Polymer flood
- Produced water disposal
- Steam boiler feed
- Hydrostatic testing
- Ammonia
- Horizontal directional drilling
- Hot-oil truck injection

W200 Triplex Pump

Performance Ratings

Model (standard)	Plunger Diameter (in.)	Gallons Per Revolution	Maximum Pressure PSI	100 RPM		150 RPM		200 RPM		310 RPM* API 674		350 RPM		400 RPM	
				GPM	BPD	GPM	BPD	GPM	BPD	GPM	BPD	GPM	BPD	GPM	BPD
W200H	1.250	0.0797	5,000	8.0	273	12.0	410	15.9	546	24.7	847	27.9	956	31.9	1,093
	1.375	0.0964	5,000	9.6	331	14.5	496	19.3	661	29.9	1,025	33.7	1,157	38.6	1,322
	1.500	0.1147	5,000	11.5	393	17.2	590	22.9	787	35.6	1,220	40.2	1,377	45.9	1,574
	1.625	0.1347	5,000	13.5	462	20.2	693	26.9	923	41.7	1,431	47.1	1,616	53.9	1,847
	1.750	0.1562	4,930	15.6	535	23.4	803	31.2	1,071	48.4	1,660	54.7	1,874	62.5	2,142
	1.875	0.1793	4,300	17.9	615	26.9	922	35.9	1,229	55.6	1,906	62.8	2,152	71.7	2,459
	2.000	0.2040	3,780	20.4	699	30.6	1,049	40.8	1,399	63.2	2,168	71.4	2,448	81.6	2,798
W200M	2.000	0.2040	3,350	20.4	699	30.6	1,049	40.8	1,399	63.2	2,168	71.4	2,448	81.6	2,798
	2.125	0.2303	3,350	23.0	790	34.5	1,184	46.1	1,579	71.4	2,448	80.6	2,764	92.1	3,158
	2.250	0.2582	2,990	25.8	885	38.7	1,328	51.6	1,770	80.0	2,744	90.4	3,098	103.3	3,541
	2.375	0.2877	2,680	28.8	986	43.2	1,479	57.5	1,973	89.2	3,058	100.7	3,452	115.1	3,945
	2.500	0.3187	2,420	31.9	1,093	47.8	1,639	63.7	2,186	98.8	3,388	111.6	3,825	127.5	4,371
	2.625	0.3514	2,190	35.1	1,205	52.7	1,807	70.3	2,410	108.9	3,735	123.0	4,217	140.6	4,819
	2.750	0.3857	2,000	38.6	1,322	57.9	1,984	77.1	2,645	119.6	4,099	135.0	4,628	154.3	5,289
W200L	2.750	0.3857	1,680	38.6	1,322	57.9	1,984	77.1	2,645	119.6	4,099	135.0	4,628	154.3	5,289
	3.000	0.4590	1,680	45.9	1,574	68.8	2,361	91.8	3,147	142.3	4,879	160.6	5,508	183.6	6,295
	3.250	0.5387	1,430	53.9	1,847	80.8	2,770	107.7	3,694	167.0	5,725	188.5	6,464	215.5	7,388
	3.500	0.6247	1,230	62.5	2,142	93.7	3,213	124.9	4,284	193.7	6,640	218.7	7,497	249.9	8,568
	3.750	0.7172	1,070	71.7	2,459	107.6	3,688	143.4	4,918	222.3	7,623	251.0	8,606	286.9	9,836
	4.000	0.8160	940	81.6	2,798	122.4	4,197	163.2	5,595	253.0	8,673	285.6	9,792	326.4	11,191

Model (metric)	Plunger Diameter (in.)	Litres Per Revolution	Maximum Pressure BAR	100 RPM		150 RPM		200 RPM		310 RPM* API 674		350 RPM		400 RPM	
				LPM	M ³ /hr	LPM	M ³ /hr	LPM	M ³ /hr	LPM	M ³ /hr	LPM	M ³ /hr	LPM	M ³ /hr
W200H	1.250	0.3016	345	30.2	1.8	45.2	2.7	60.3	3.6	93.5	5.6	105.6	6.3	120.6	7.2
	1.375	0.3650	345	36.5	2.2	54.7	3.3	73.0	4.4	113.1	6.8	127.7	7.7	146.0	8.8
	1.500	0.4343	345	43.4	2.6	65.1	3.9	86.9	5.2	134.6	8.1	152.0	9.1	173.7	10.4
	1.625	0.5097	345	51.0	3.1	76.5	4.6	101.9	6.1	158.0	9.5	178.4	10.7	203.9	12.2
	1.750	0.5912	340	59.1	3.5	88.7	5.3	118.2	7.1	183.3	11.0	206.9	12.4	236.5	14.2
	1.875	0.6786	296	67.9	4.1	101.8	6.1	135.7	8.1	210.4	12.6	237.5	14.3	271.5	16.3
	2.000	0.7721	260	77.2	4.6	115.8	6.9	154.4	9.3	239.4	14.4	270.2	16.2	308.9	18.5
W200M	2.000	0.7721	231	77.2	4.6	115.8	6.9	154.4	9.3	239.4	14.4	270.2	16.2	308.9	18.5
	2.125	0.8717	231	87.2	5.2	130.8	7.8	174.3	10.5	270.2	16.2	305.1	18.3	348.7	20.9
	2.250	0.9772	206	97.7	5.9	146.6	8.8	195.4	11.7	302.9	18.2	342.0	20.5	390.9	23.5
	2.375	1.0888	185	108.9	6.5	163.3	9.8	217.8	13.1	337.5	20.3	381.1	22.9	435.5	26.1
	2.500	1.2065	167	120.6	7.2	181.0	10.9	241.3	14.5	374.0	22.4	422.3	25.3	482.6	29.0
	2.625	1.3301	151	133.0	8.0	199.5	12.0	266.0	16.0	412.3	24.7	465.5	27.9	532.1	31.9
	2.750	1.4598	138	146.0	8.8	219.0	13.1	292.0	17.5	425.5	27.2	510.9	30.7	583.9	35.0
W200L	2.750	1.4598	116	146.0	8.8	219.0	13.1	292.0	17.5	425.5	27.2	510.9	30.7	583.9	35.0
	3.000	1.7373	116	173.7	10.4	260.6	15.6	347.5	20.8	538.6	32.3	608.1	36.5	694.9	41.7
	3.250	2.0389	99	203.9	12.2	305.8	18.4	407.8	24.5	632.1	37.9	713.6	42.8	815.6	48.9
	3.500	2.3647	85	236.5	14.2	354.7	21.3	472.9	28.4	733.0	44.0	827.6	49.7	945.9	56.8
	3.750	2.7145	74	271.5	16.3	407.2	24.4	542.9	32.6	841.5	50.5	950.1	57.0	1,085.8	65.1
	4.000	3.0886	65	308.9	18.5	463.3	27.8	617.7	37.1	957.5	57.4	1,081.0	64.9	1,235.4	74.1

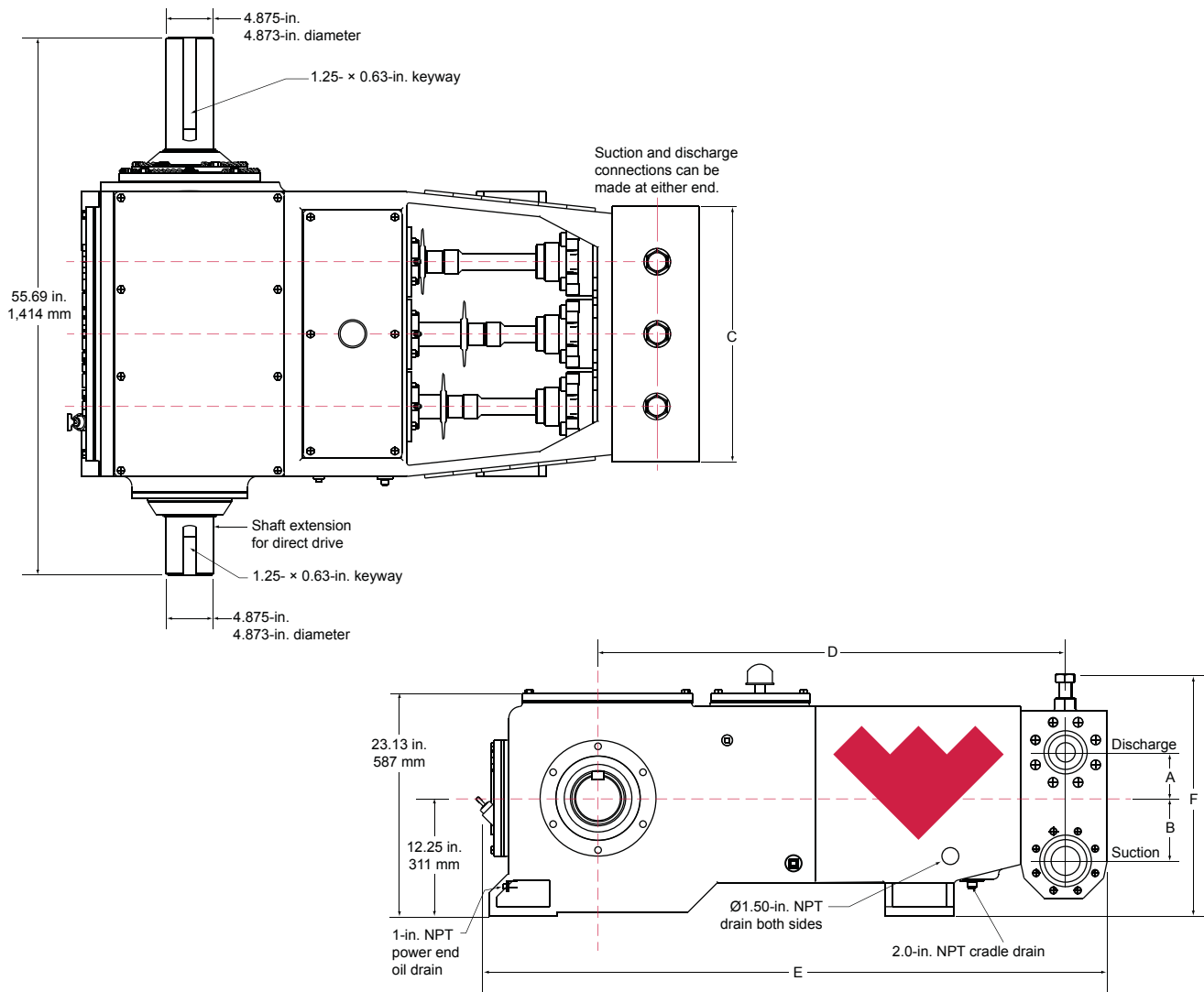
*API Speed

General Notes

- Capacities shown are based on 100 percent volumetric efficiency. Actual capacities are lower, based on discharge pressure and fluid compressibility.
- API-674 and NACE-compliant designs are available; consult Weatherford for details and exceptions to these standards.
- For operation below 100 RPM, an internal or external auxiliary lubrication system is required.
- Standard plunger sizes are shown, however other sizes are available upon request.
- Spherical valves must be installed when using 4.00 in. plungers.

W200 Triplex Pump

General Dimensions (sizing dimensions not for construction purposes)



Pump Model	Dimensions (in./mm)					
	A	B	C	D	E	F
W200L	5.69 145	7.62 194	27.75 705	48.75 1,239	65.75 1,670	23.00 584
W200M	4.75 121	6.50 165	26.50 673	48.38 1,229	64.88 1,648	25.31 643
W200H	4.75 121	6.50 165	26.50 673	48.38 1,229	64.25 1,632	25.31 643